



## New Product Announcement

### ZLNB254

# ZLNB254 - A dual DiSEqC™ interface and tone detector for satellite applications.

## Description

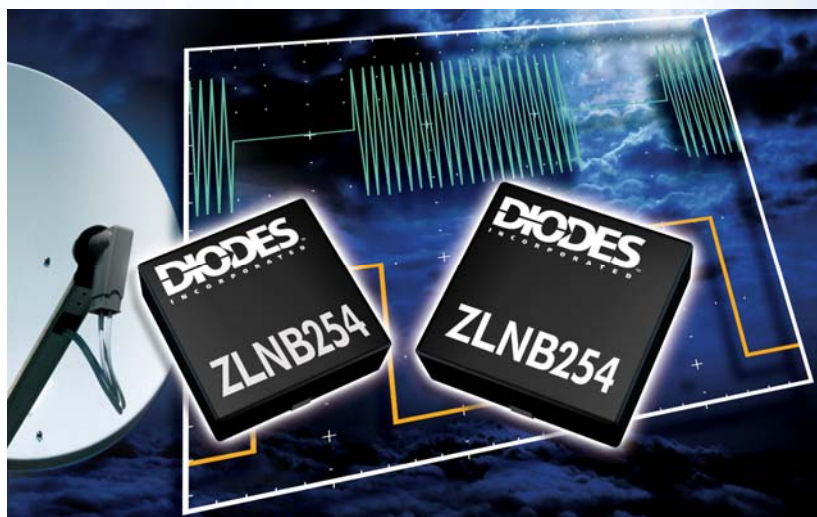
The ZLNB254 is a dual channel DiSEqC™ interface for satellite Low Noise Blocks (LNB's) and distribution systems.

Providing two accurate DiSEqC™ detectors, the ZLNB254 converts the DiSEqC™ signals into logic level representations enabling reliable and easy detection for a microprocessor.

The ZLNB254 can also detect standard tone signals used in satellite equipment.

Packaged in a small footprint DFN and only requiring two external components per channel, the complete solution is cost effective and takes minimal PCB space.

DiSEqC™ is a trademark of Eutlesat



## The Diodes advantage

The ZLNB254 provides superior reliability in DiSEqC™ de-coding by helping to eliminate false detection. Due to the detector simplicity the ZLNB254 allows the work load in the micro-controller to be reduced, allowing the designer to use a simpler controller.

- Dual DiSEqC™ or tone detector and interface IC
- Only requires 2 external components per channel
- Designed to US and standard DiSEqC™ specifications
- Detectors reject unwanted signals
- Wide supply voltage of 3V to 8V and a low current design
- Small footprint DFN package

## Circuit functions

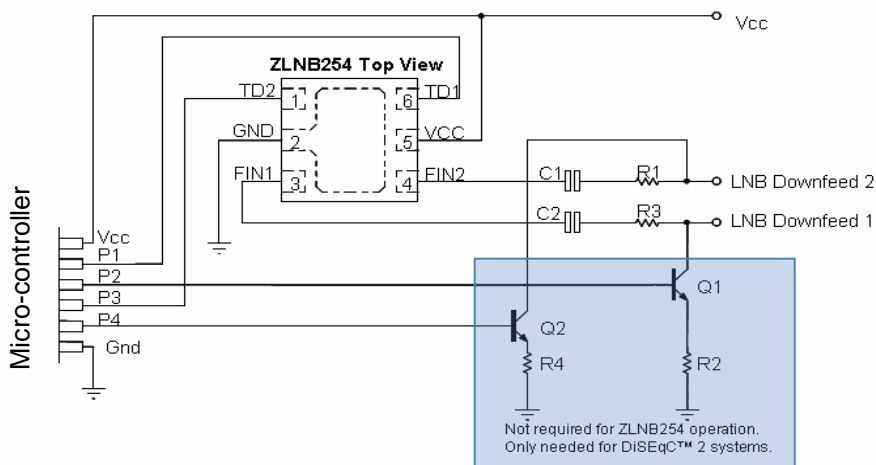
- DiSEqC™ LNB's
- DiSEqC™ peripheral equipment
- DiSEqC™ satellite distribution systems



# New Product Announcement

## ZLNB254

### ZLNB254 - A dual DiSEqC™ interface and tone detector for satellite applications.



### Key Parameters

Part Number	Detector				Vcc (V)	Icc (mA)	Package
	Type	Number of Channels	F Range (kHz)	Threshold (mV)			
ZLNB254	DiSEqC & Tone	2	10 - 60	100-200	3 to 8	1	TDFN2020-6

To find out more information:  
 Product page <http://www.diodes.com/DBS>

### Ordering information

Device	Packaging	Pack mark	Reel size	Tape width	Quantity
ZLNB254DEETA	TDFN2020-6	254	7 Inches	8mm	3,000

DiSEqC™ is a trademark of Eutlesat